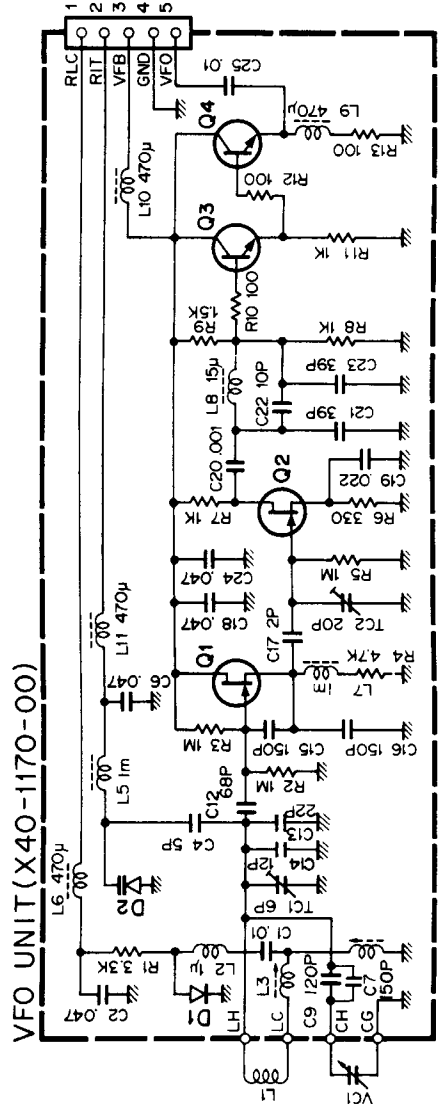
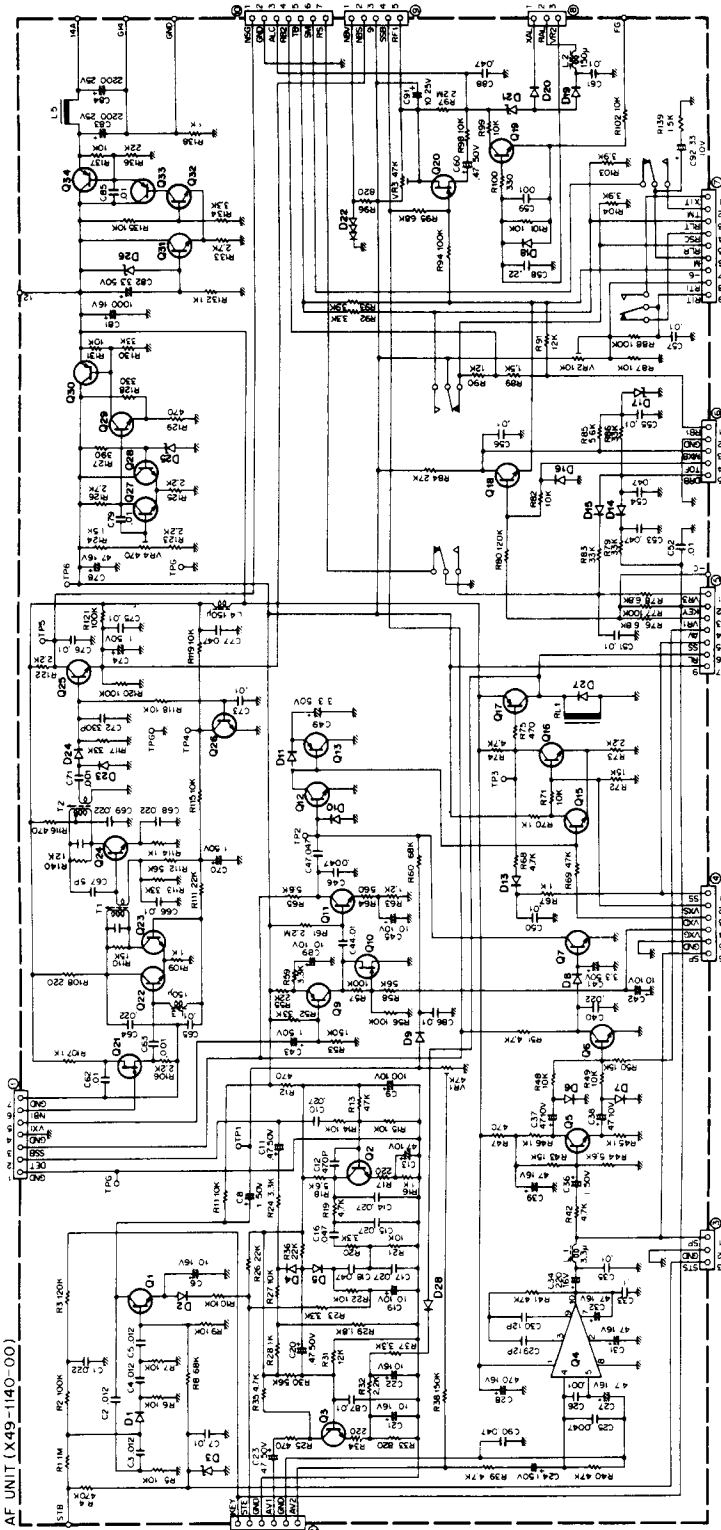


TS-830S SCHEMATIC DIAGRAM

AF UNIT (X49-1140-00)

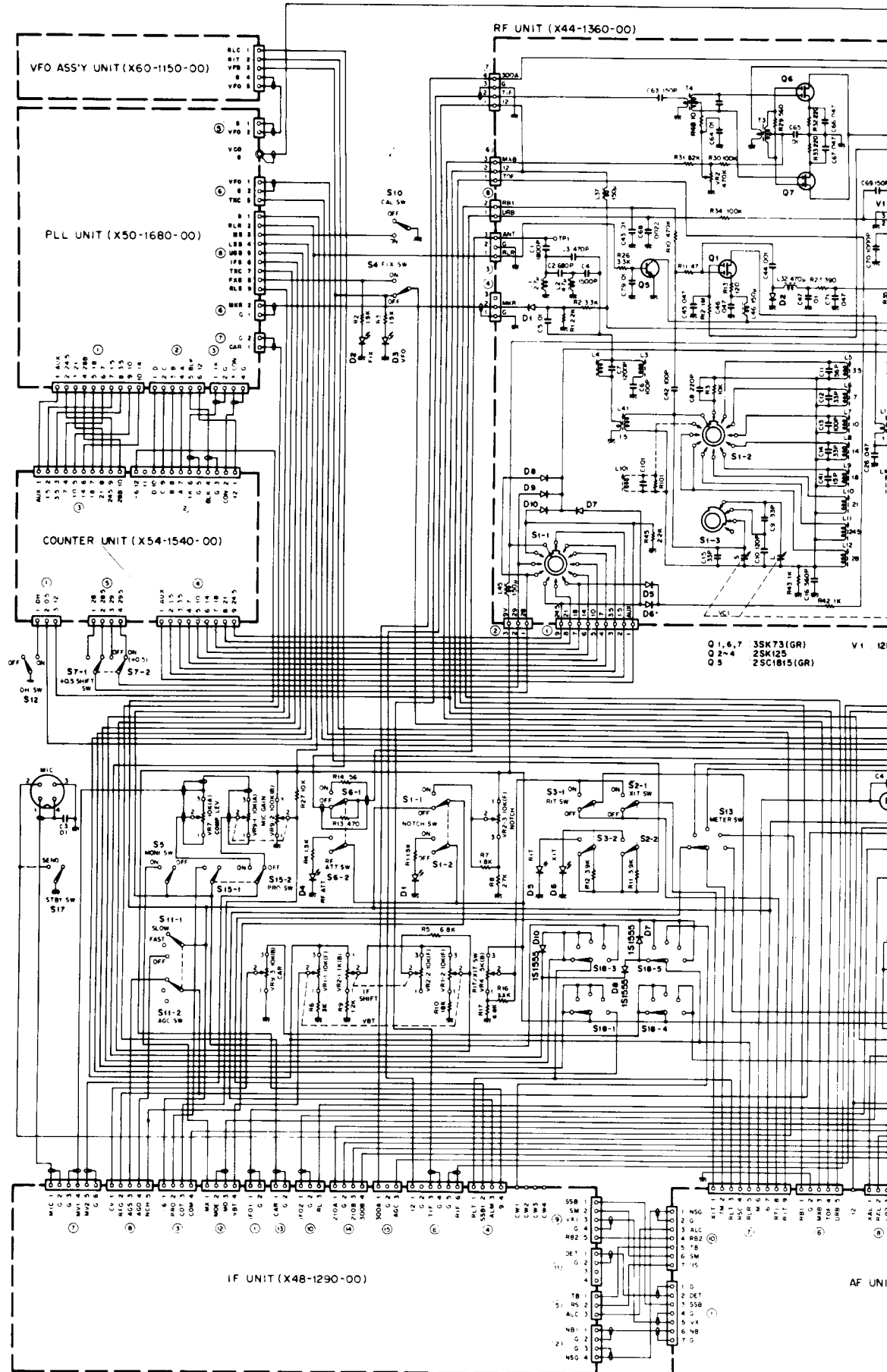
VFO UNIT (X40-1170-00)



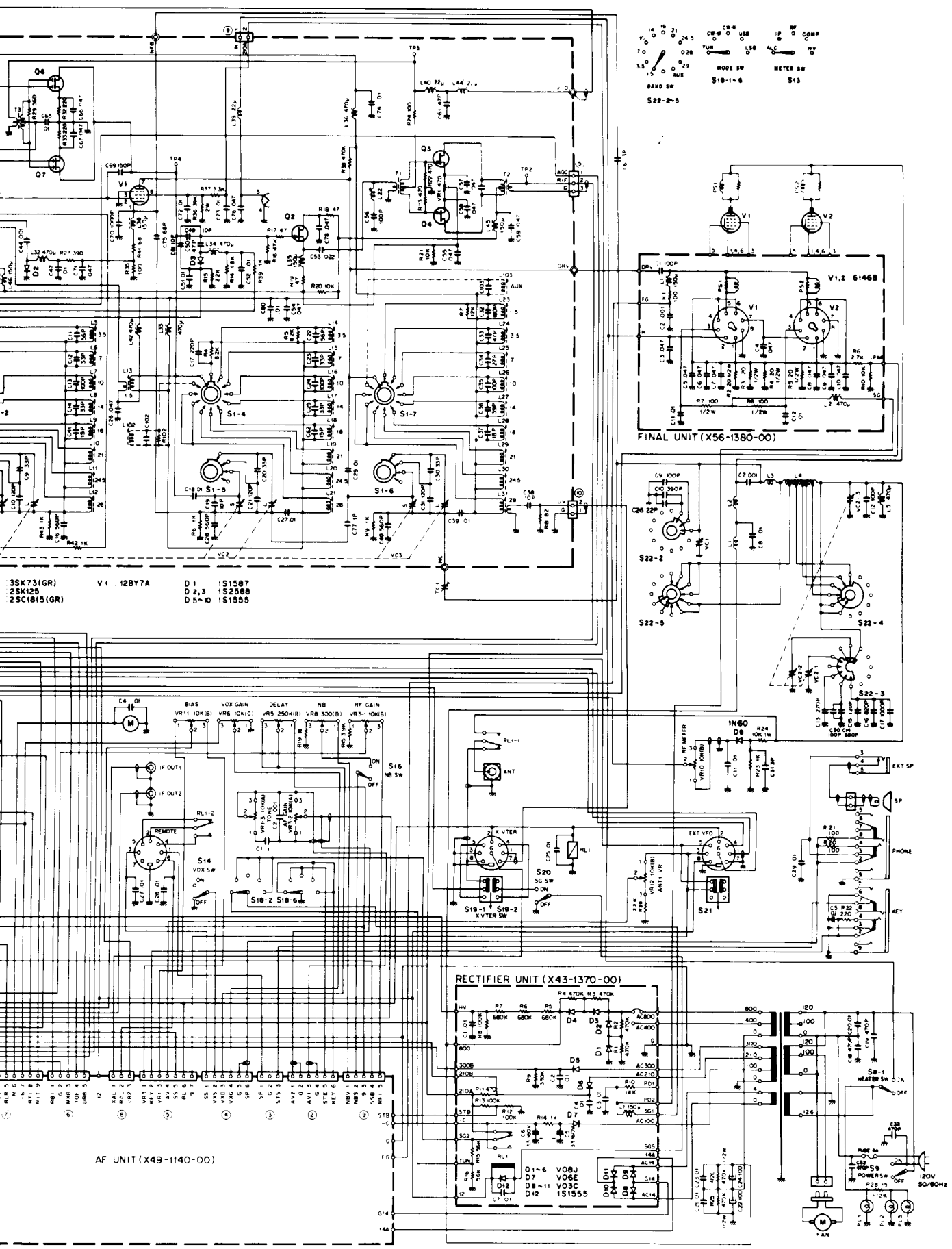
- Q1,2 ; 2SK19(Y) D1 ; 1S2588
- Q3 ; 2SC460(B) D2 ; 1SV53A
- Q4 ; 2SC1959(Y)

- Q1,5-8,11,12 2SC945(O)
- Q2,3 2SC2240(GR)
- Q4 HA1568
- Q5 2SK19(O)
- Q6,9,13,15 2SK19(O)
- Q16,20 2SC1815(GR)
- Q17 2SA562(Y)
- Q18 2SC1915(K)
- Q19 2SC1915(K)
- Q22,24 2SC460(B)
- Q23 2SA473(Y)
- Q25 2SK30A(GR)
- Q26 1S1955
- D1,17,21 WZ-090
- D1,23,24 1N60
- D4,5,19,20 1N60
- D6 XZ-053
- D8 XZ-053
- D28

TS-830S SCHEM



SCHEMATIC DIAGRAM



3SK73(GR) V 1 12BY7A D 1 1S1587
 2SK125 D 2,3 1S2588
 2SC1815(GR) D 5-10 1S1555

AF UNIT (X49-1140-00)

RECTIFIER UNIT (X43-1370-00)

FINAL UNIT (X56-1380-00)

Model TS-830S

Serial No. _____

Date of Purchase _____ / _____ / _____

Dealer _____

A product of

TRIO-KENWOOD CORPORATION

17-5, 2-chome, shibuya, shibuya-ku Tokyo 150, Japan

TRIO-KENWOOD COMMUNICATIONS

1111 West Walnut Street, Compton, California, 90220, U.S.A.

TRIO-KENWOOD COMMUNICATIONS, GmbH

D-6374 Steinbach TS, Industriestrasse 8A, West Germany

TRIO-KENWOOD ELECTRONICS, N.V.

Leuvensesteenweg 504, B-1930 Zaventem, Belgium

TRIO-KENWOOD (AUSTRALIA) PTY. LTD.

4E Woodcock Place, Lane Cove N.S.W. 2066, Australia